

COMMON MODE INDUCTORS

LFT1418 SERIES

FEATURES:

- High inductance with low resistance
- Excellent differential-mode suppression
- High pulse-handling capability
- Industry best inductance/rated current ratio
- Suitable for wave soldering
- Design complies with EN 60938-2 (VDE 0565-2)
- RoHS-compatible

APPLICATIONS:

- Electronic ballasts for lamps
- High power switch-mode power supplies for consumer electronics

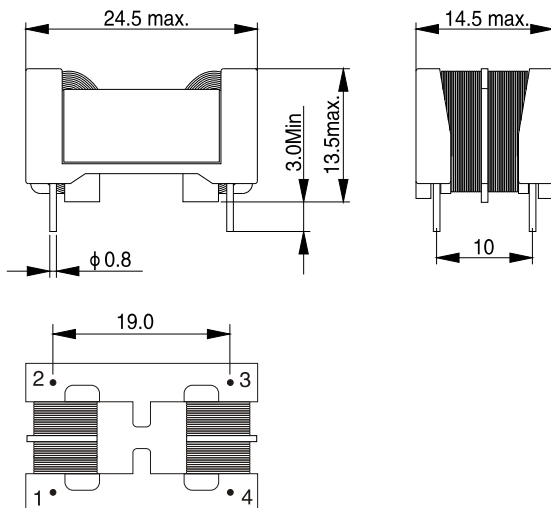
CONSTRUCTION:

- Current-compensated double choke
- Closed magnetic circuit with frame construction
- Height 13.5 mm
- Clearance and creepage distances 3mm Min

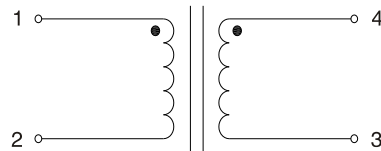
ELECTRICAL CHARACTERISTICS:

Part Number	L(mH) 10KHz,0.1V +50%/-30%	Rated current (A)Max	DCR (mΩ)Typ
LFT1418-222Y	2.2	1.39	60
LFT1418-332Y	3.3	1.27	70
LFT1418-682Y	6.8	1.06	85
LFT1418-103Y	10	0.96	120
LFT1418-153Y	15	0.77	150
LFT1418-223Y	22	0.60	200
LFT1418-273Y	27	0.53	260
LFT1418-303Y	30	0.46	310
LFT1418-333Y	33	0.39	340
LFT1418-473Y	47	0.33	410
LFT1418-683Y	68	0.28	500

PHYSICAL CHARACTERISTICS



WINDING



- Rated voltage: 250VAC max@40°C
- Insulation voltage: 1500VAC,2S(line-line)
- Inductor Testing: HP4284A (Equivalent acceptable)
DCR: WK3260B
- Storage Temperature: -40°C to +40°C
- Solder methods: Vapor Phase, Infrared Reflow
- Resistance to soldering heat:260°C for 10 seconds
- Solvent resistance: Conforms to MIL-STD-202E
- Marking: Inductance & Tolerance
- All specifications subject to change without notice.