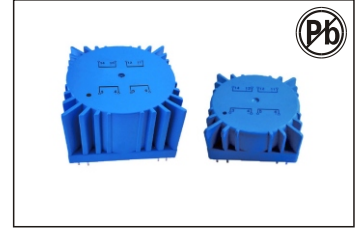


PCB MOUNT TOROIDAL ENCAPSULATED TRANSFORMER

85W PETT SERIES



FEATURES:

- Low profile; High efficiency
- Fully encapsulated; magnetically shielded
- Low standby current
- Safety approved-UL506,UL5085-1&2; UL6500/UL60065

COMMON APPLICATIONS:

- Medical equipment
- Test equipment
- Media & high-end audio equipment
- Broadcast sound systems and other various devices

ELECTRICAL CHARACTERISTICS (@ 25°C)

Part No.	Power VA	Series		Parallel	
		Output Voltage(V)	Output Current(mA)	Output Voltage(V)	Output Current(mA)
PETT850012	85.0	12	7083	6	14166
PETT850014	85.0	14	6071	7	12142
PETT850018	85.0	18	4722	9	9444
PETT850024	85.0	24	3541	12	7082
PETT850030	85.0	30	2833	15	5666
PETT850036	85.0	36	2361	18	4722
PETT850044	85.0	44	1931	22	3862
PETT850048	85.0	48	1770	24	3540

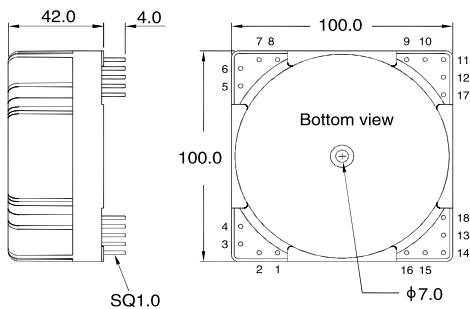
Dual Primary

115V, 60Hz (Pin3 – Pin6) (Pins3, 5 short; Pins 4, 6 short)
 230V 50Hz (Pin3 –Pin6) (Pins 4, 5 short)

Dual Secondary

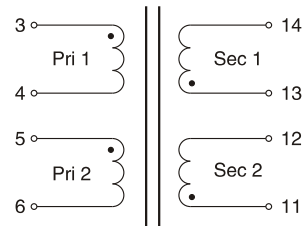
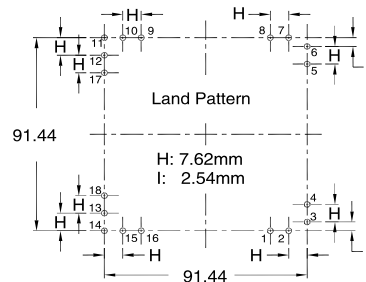
In Series (Pin11 –Pin14) (Pins12, 13 short)
 In Parallel (Pin11 –Pin14) (Pins11,13 short;Pins12,14 short)

PHYSICAL CHARACTERISTICS



All dimensions in mm

TECHNICAL INFORMATION



- Primary: Dual primary (115V/230V 50/60Hz)
- Secondary: Series or parallel
- High ambient operating temperature: +60°C max
- Insulation Class: Class F (155°C)
- Dielectric Strength: 4000Vrms
- Operating temperature: -40°C to +120°C
- Storage temperature: -40°C to +105°C
- Through center hole
- Unused pins are omitted for standard parts. Unused pins can be provided on request.