

# THROUGH-HOLE TOROIDAL COMMON MODE CHOKES TRF4525A SERIES

## FEATURES:

- Excellent Mechanical Strength
- High Reliability and varied Plastic base
- Low resistance and temperature rise
- UL1446 Class B (130°C) Insulation System

## COMMON APPLICATIONS:

- DC/DC, AC/DC line noise suppression
- Communication System
- Automotive Systems
- LCD/PDP Televisions
- Eliminating of electromagnetic noise of power and signal circuit.

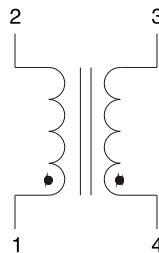
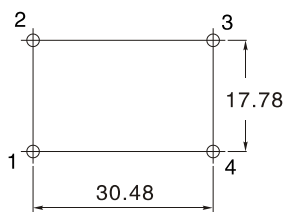
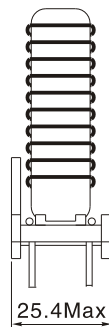
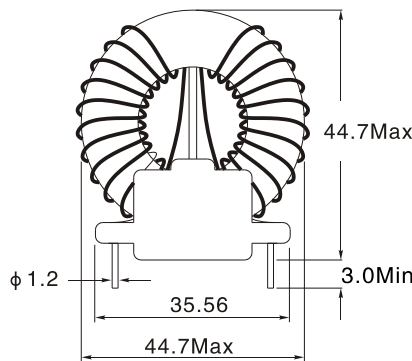


## ELECTRICAL CHARACTERISTICS:

Part Number	Inductance (mH Min.) 15.75KHz,0.1V	Rated Current Amps	DCR each winding (mΩ Max)	Leakage inductance (μ H) Max	Lead diameter nom
TRF4525A-323Y-1A	32.0	1	650	485	1.37
TRF4525A-563Y-1A	56.0	1	900	780	1.37
TRF4525A-163Y-2A	16.0	2	240	210	1.37
TRF4525A-283Y-2A	28.0	2	330	410	1.37
TRF4525A-802Y-4A	8.0	4	61	57.5	1.37
TRF4525A-143Y-4A	14.0	4	120	180	1.37
TRF4525A-662Y-6A	6.6	6	48	49	1.37
TRF4525A-113Y-6A	11.5	6	88	140	1.37
TRF4525A-402Y-9A	4.0	9	26	37	1.07
TRF4525A-702Y-9A	7.0	9	45	104	1.07
TRF4525A-302Y-12A	3.0	12	22	40	1.22
TRF4525A-522Y-12A	5.2	12	25	47	1.22
TRF4525A-252Y-15A	2.5	15	19	42	1.37
TRF4525A-442Y-15A	4.4	15	17	48	1.37

## TECHNICAL INFORMATION & PHYSICAL CHARACTERISTICS:

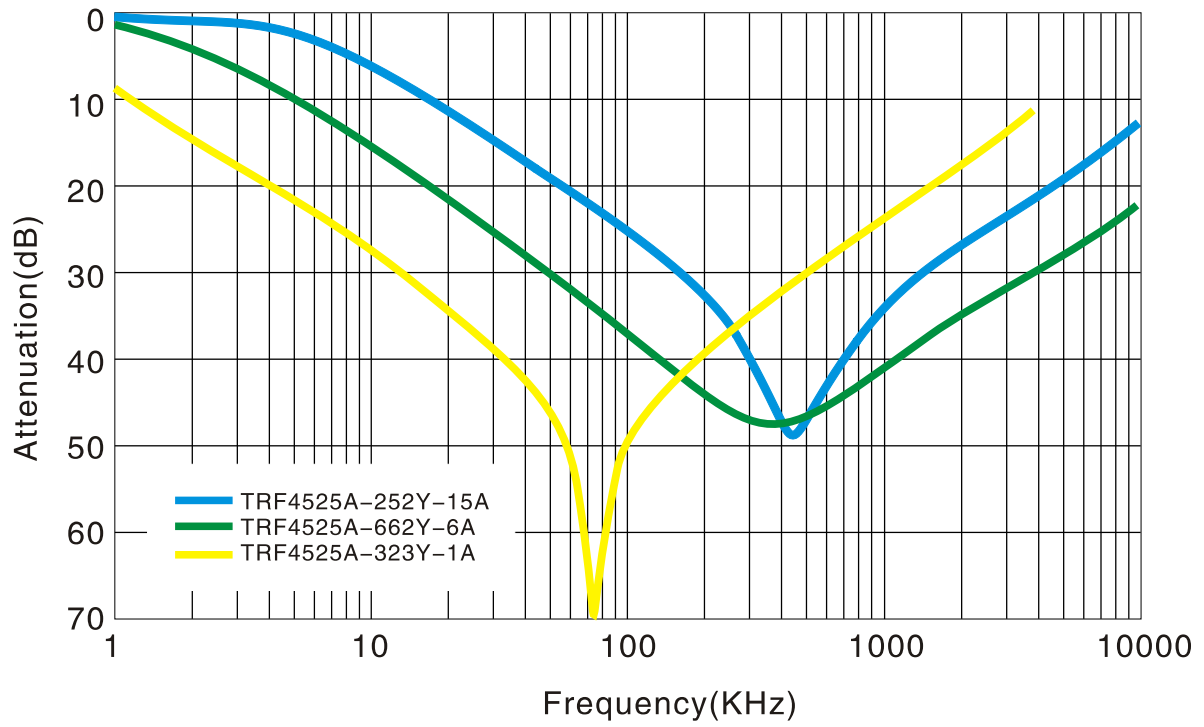
### DIMENSIONS IN:mm



- Max operating voltage:250V at 40°C
- IDC Max: rating AC/DC current A @40°C
- Hi-Pot 1500Vac winding to winding 3S.
- Inductance Testing: 15.75KHz 0.1V HP4284A
- RDC:QuadTech 1880 Milliohmmeter
- Surge current Max 10ms: 20X IDC
- Operating temperature: -40°C to +105°C
- Storage Temperature: -40°C to +105°C
- Resistance to soldering heat:260°C for 10 seconds
- Marking: Part number and date code

Note:All specifications subject to change without notice.

**Typical Common Mode Attenuation:**



**Typical Impedance:**

