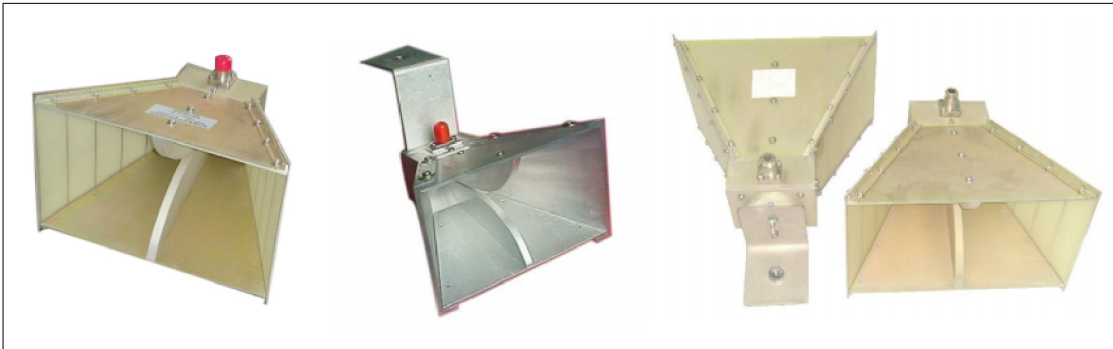


WIDEBAND HORN ANTENNA

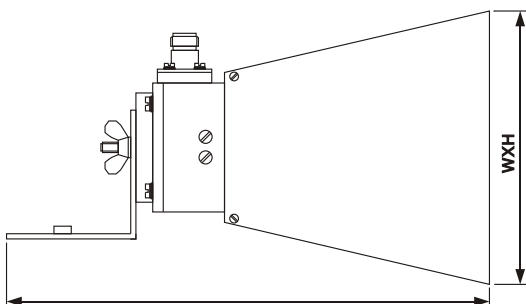
Shinhom Microwave manufactures a high quality line of dual-ridged horn antennas typically used for EMI testing, surveillance equipment, antenna gain and pattern measurement. Wideband dual-ridged horn antennas are linearly polarized with high Gain, low VSWR, lightweight, covering from 0.2GHz to 40GHz. Please contact us with your specification and discuss your needs with one of our sales engineers.



ELECTRICAL CHARACTERISTICS:

| Part No. | Freq Range (GHz) | Gain (dB) | VSWR (Max) | Dimensions(mm) | | | WG Type | | Connector |
|---------------------|------------------|-----------|------------|----------------|-----|-----|----------|----------|-----------|
| | | | | L | W | H | E-Plane | H-Plane | |
| SH-10180DRHA10S... | 1.0-18.0 | 8.2-14.6 | 2.5 | 284 | 160 | 245 | 30° -77° | 23° -60° | SMA |
| SH-10180DRHA10N... | 1.0-18.0 | 8.2-14.6 | 2.5 | 284 | 160 | 245 | 30° -77° | 23° -60° | Type N |
| SH-80180DRHA10N... | 8.0-18.0 | 10-12 | 2.5 | 114.5 | 63 | 53 | 21° -34° | 21° -44° | Type N |
| SH-80180DRHA10S... | 8.0-18.0 | 10-12 | 2.5 | 114.5 | 63 | 53 | 21° -34° | 21° -44° | SMA |
| SH-180400DRHA15K... | 18.0-40.0 | 9-15.6 | 2.5 | 100 | 42 | 57 | 17° -44° | 18° -33° | K2.4mm |

*Indicates Model Number. See Ordering Information for complete part number.



Ordering Information

Example Part No: SH - 100 SGAH 25 +N K

Shinhom Microwave — SH
 WG type: R100 — 100
 Product Type: Standard Gain Horn Antenna with Coaxial Connector — SGAH
 Gain: 25dB — 25
 Coax Connector Type: N=Type N, S=SMA, 2.92=K2.92mm — +N
 J=Male, K=Female — K

- Flange type: Multiple types available – see Shinhom Microwave Flanges page
- Finish: Corrosion protection plus black top coat