

# COMMON MODE POWER LINE CHOKE

## TRF2512VT SERIES



### FEATURES:

- With this product you can achieve high suppression of asymmetric interferences even at low frequency ranges
- Broadband filtering because of low capacitance winding technique
- Very compact design
- Highest possible current with small sizes
- High interference compression asymmetric interference rates also at low frequency range

### APPLICATIONS:

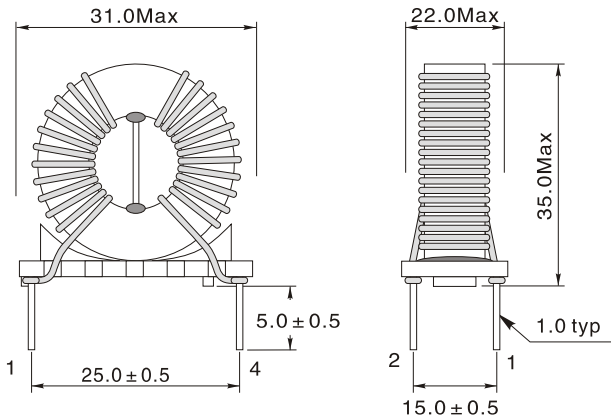
- Power electronics
- Suppression for common mode noise
- Radio interference suppression in motors
- Power line input and output filter

### ELECTRICAL CHARACTERISTICS:

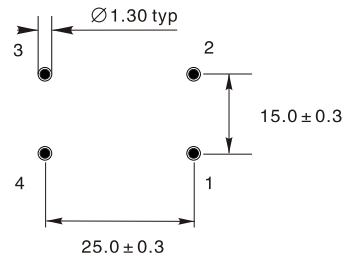
Part Number	L (mH)	Tolerance (%)	Rated Current (A)	RDC max. (mΩ)
TRF2512VT-102N	1.0	± 30	12	9
TRF2512VT-222N	2.2		8	14
TRF2512VT-332N	3.3		6	25
TRF2512VT-502N	5.0		6	45
TRF2512VT-103N	10.0		5	55
TRF2512VT-203N	20.0		3	160
TRF2512VT-333N	33.0		3	210

### PHYSICAL CHARACTERISTICS:

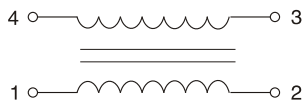
Dimensions 1



Hole pattern(in mm)



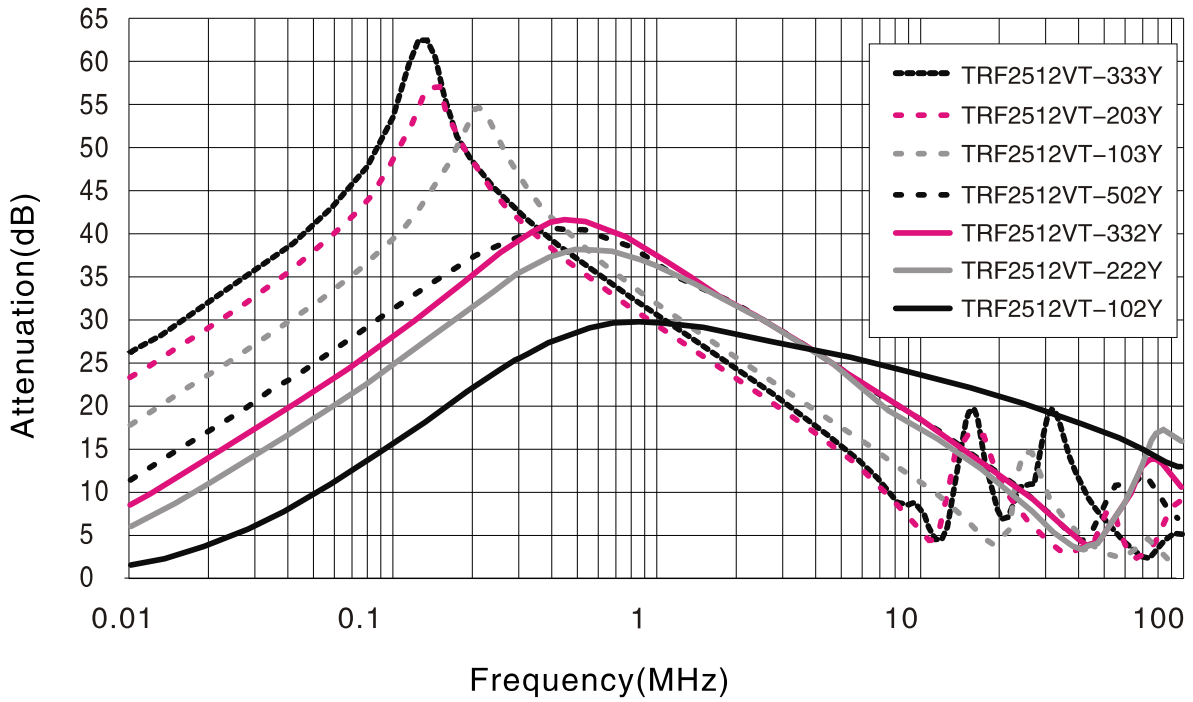
### Winding



### Notes:

- Rated voltage.....250Vac
- Frequency.....50/60Hz
- Insulation test voltage..... 1500V
- Operating temperature.....-40 °C to +125 °C
- Housing..... UL94 V-0

## ATTENUATION COMMON MODE



## ATTENUATION DIFFERENTIAL MODE

